

---

*Comfort-Aire*®

**Century**®



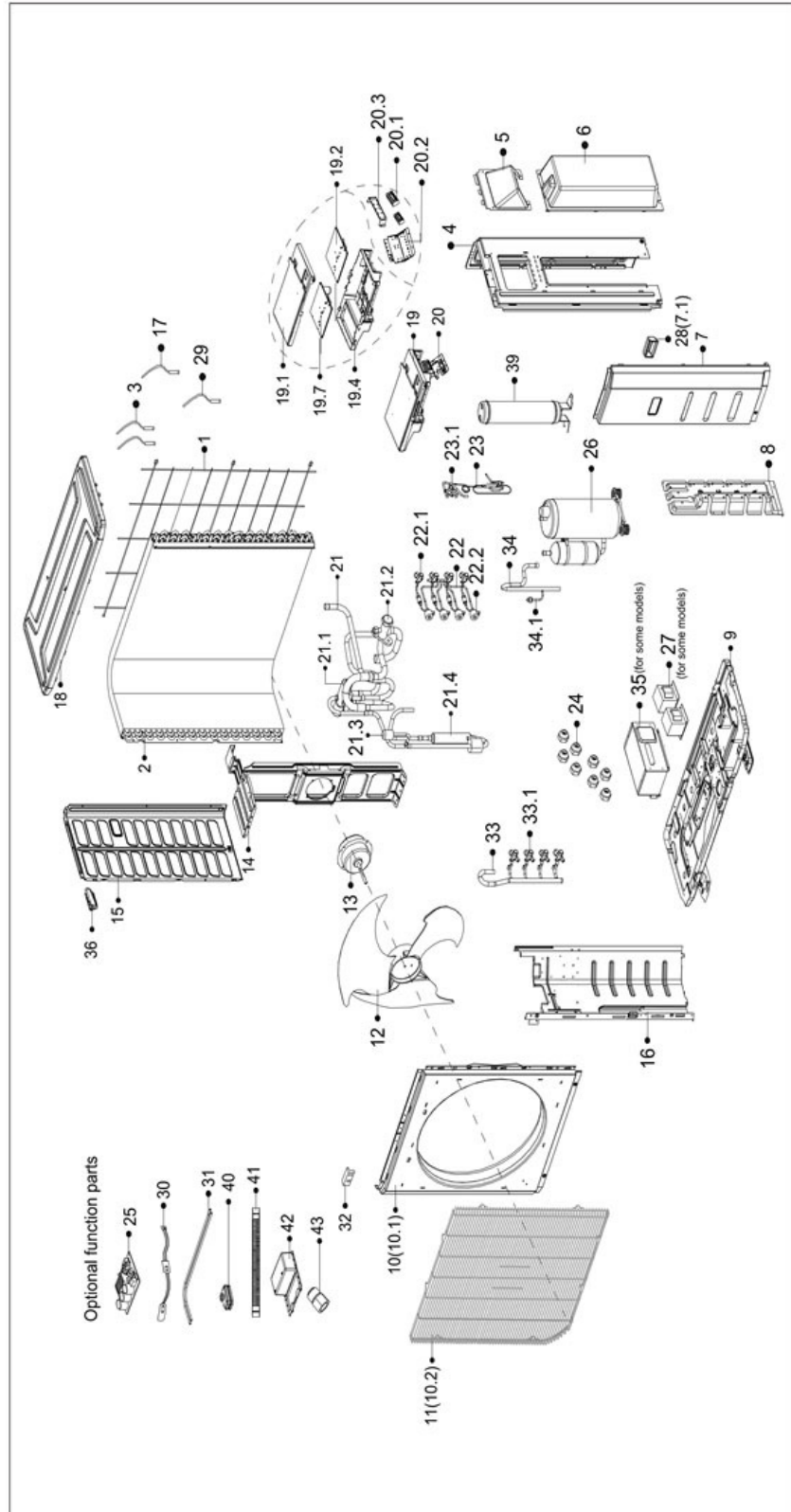
---

REPLACEMENT PARTS LIST

**Tri Zone Low Temperature  
Ductless Mini-Split Outdoor**

A-VMH28TU-1

# EXPLODED VIEW



# REPLACEMENT PARTS

Location	Part Name	Quantity	Part No.
1	Rear net	1	12222000006604
2	Condenser assembly	1	15822200A01992
3	Pipe Temperature Sensor	1	11201007000044
3	Pipe Temperature Sensor	1	11201007000136
4	Rear right clapboard assembly	1	12222300000510
5	Big handle	1	12222300000529
6	Water collector	1	12122300000110
7	Front right clapboard assembly	1	12222500A00135
8	Valve plate	1	12222000005282
9	Chassis assembly	1	12222000005267
10	Front panel	1	12222000A01431
11	Air outlet grille	1	12222000007904
12	Axial flow fan	1	12100105000084
13	Brushless DC Motor	1	11002015000247
14	Supporter subassembly of fan motor	1	12222000005162
15	Left side plate assembly of cabinet	1	12222000006665
16	Partition board assembly	1	12222200001158
17	Room Temperature Sensor	1	11201007000039
18	Top cover assembly	1	12222500000587
19	Electronic control box subassembly	1	17222000A52379
19.1	Electronic installing box subassembly	1	12122200002719
19.2	Outdoor main control board subassembly	1	17122000A33584
19.4	Electronic installing box subassembly	1	12122200002715
19.7	Inverter control board subassembly	1	17123000A01098
19.7.1	Radiator	1	11203803000249
20	Terminal board subassembly	1	17222000A29950
20.1	Wire joint	2	17400401000135
20.2	Terminal board	1	12222300000033
20.3	Terminal board	1	12222300000032
21	4-way valve assembly	1	15422300000347
21.1	4-way valve	1	15500216000361
21.2	Gas valve	1	15500204000049
21.3	Pressure switch	1	17400516000020
21.4	Muffler	1	15500506000007
22	Liquid valve Assembly	1	15422000A01490
22.1	Liquid valve	3	15500208000028
22.2	Electronic expansion valve subassembly	3	15500213000046
23	Liquid valve assembly	1	15422300000346
23.1	Liquid valve	1	15500208000047
24	Copper nut	3	15500406000010
24	Copper nut	4	15500406000012
24	Copper nut	4	15500406000016
26	DC Inverter Rotary Compressor	1	11103020000439
29	Discharge Temperature Sensor	1	11201007000157
30	Electric heating tube	1	17402002000043
31	NA	1	17402001000119
33	Low Pressure Valve assembly	1	15422000A01486
33.1	Gas valve	2	15500204000021
33.1	Gas valve	1	15500204000058
34	Suction pipe assembly	1	15122300001024
34.1	Pressure switch	1	17400516000024
39	Accumulator cylinder	1	15500508000315
41	Drain pipe	1	12100509000059
43	accessory	3	15500307000001
99	Compressor wire subassembly	1	174012030000909

---

Due to ongoing product improvements, specifications and dimensions are subject to change and correction without notice or incurring obligations. Determining the application and suitability for use of any product is the responsibility of the installer. Additionally, the installer is responsible for verifying dimensional data on the actual product prior to beginning any installation preparations.

Incentive and rebate programs have precise requirements as to product performance and certification. All products meet applicable regulations in effect on date of manufacture; however, certifications are not necessarily granted for the life of a product. Therefore, it is the responsibility of the applicant to determine whether a specific model qualifies for these incentive/rebate programs.

*Comfort-Cire*®  **Century**®

1900 Wellworth Ave., Jackson, MI 49203 • Ph. 517-787-2100 • [www.marsdelivers.com](http://www.marsdelivers.com)

